

**STORI**  
MODERN

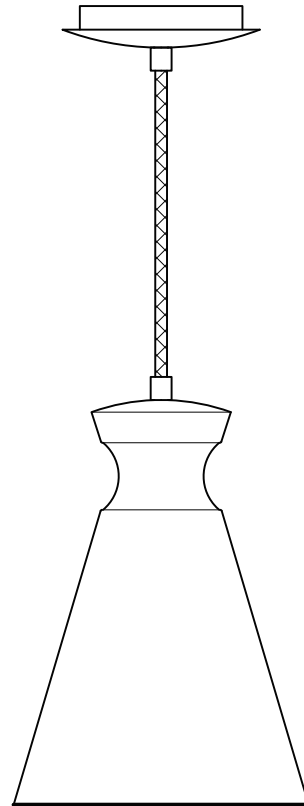
READ THESE INSTRUCTIONS  
AND SAVE THEM FOR FUTURE USE

Highlighter

## Installation Guide

For item:

841926106120



### Table of Contents:

Safety Tips. pg. 1

Warranty. pg. 1

Unpacking Your Fixture. pg. 2

Parts Inventory. pg. 2

Installation Preparation. pg. 3

Mounting Plate Installation. pg. 3

Cord Adjustment. pg. 3

Wiring. pg. 4

Final Assembly. pg. 5

Troubleshooting. pg. 5

Parts Replacement. pg. 5



## SAFETY TIPS.

**WARNING:** To reduce the risk of electrical shock, turn off the electricity at the main fuse box or circuit panel before you begin the installation or before servicing or installing the fixture.

1. **READ ALL INSTRUCTIONS AND SAFETY INFORMATION CAREFULLY BEFORE INSTALLING YOUR FIXTURE AND SAVE THESE INSTRUCTIONS.**

**CAUTION:** To avoid personal injury, the use of gloves may be necessary while handling fan parts with sharp edges.

2. Make sure all electrical connections comply with Local Codes or Ordinances, the National Electrical Code and ANSI/NFPA 70-1999. If you are unfamiliar with electrical wiring or if the house/building wires are different colors than those referred to in the instructions, please use a qualified electrician.

**CAUTION:** The outlet box must be securely mounted and must be capable of supporting the fixture.

**CAUTION:** Do not suspend any fixture by the house wires. A fixture must always be mounted directly to a mounting strap which is first attached to the outlet box. Wire connectors will not support the weight of a fixture. Suspending a fixture by the house wires and wire connectors will result in the fixture falling, with the possibility of personal injury and the danger of electrical shock or fire.

**WARNING:** To reduce the risk of fire, electrical shock, or personal injury, use the mounting screws provided with the outlet box. Consult a qualified electrician if in doubt.

**WARNING:** To reduce the risk of fire, electrical shock, or personal injury, wire connectors provided with this fixture are designed to accept only one 12 gauge house wire and no more than two lead wires from the fixture. If your house wire is larger than 12 gauge or there is more than one house wire to connect to the fixture lead wires, consult an electrician for the proper size wire connectors to use.

3. Electrical diagrams are for reference only.  
4. After installation is complete, check that all connections are absolutely secure.  
5. After making electrical connections, spliced conductors should be turned upward and pushed carefully up into the outlet box. The wires should be spread apart with the grounded conductor and the equipment-grounding conductor on opposite sides of the outlet box.  
6. To reduce the risk of damage to the fixture, DO NOT use power tools to assemble any part of the fixture.

**NOTE:** *The important safety precautions and instructions appearing in the manual are not meant to cover all possible conditions and situations that may occur. It must be understood that common sense and caution are necessary factors in the installation and operation of this fixture.*

---

## WARRANTY.

### STORIMODERN FIVE-YEAR LIMITED WARRANTY:

STORIMODERN warrants this pendant to the original household purchaser for indoor use under the following provisions:

**5-YEAR WARRANTY:** STORIMODERN will replace or repair any pendant which has faulty performance due to a defect in material or workmanship. Contact StoriModern Customer Service at **1-844-557-8674** to arrange for return of pendant for repair. Return pendant, shipping prepaid, to StoriModern. We will repair the pendant or ship you a replacement, and we will pay the return shipping cost.

The purchaser shall be responsible for all costs incurred in the removal, reinstallation and shipping of the product for repairs.

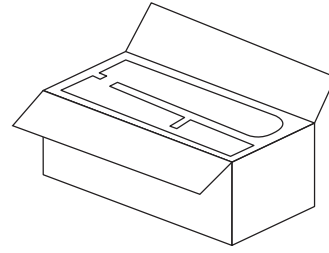
This warranty does not apply when damage from mechanical, physical, electrical or water abuse results in causing the malfunction. Deterioration of finishes or other parts due to time or exposure to salt air is specifically exempted under this warranty.

Neither Stori Modern nor the manufacturer will assume any liability resulting from improper installation or use of this product. In no case shall the company be liable for any consequential damages for breach of this, or any other warranty expressed or implied whatsoever. This limitation as to consequential damages shall not apply in states where prohibited.

# 1. Unpacking Your Fixture.

Carefully open the packaging. Remove items from Styrofoam inserts. Do not discard carton or Styrofoam inserts should this fixture need to be returned for repairs.

Check against parts inventory that all parts have been included.



## 2. Parts Inventory.

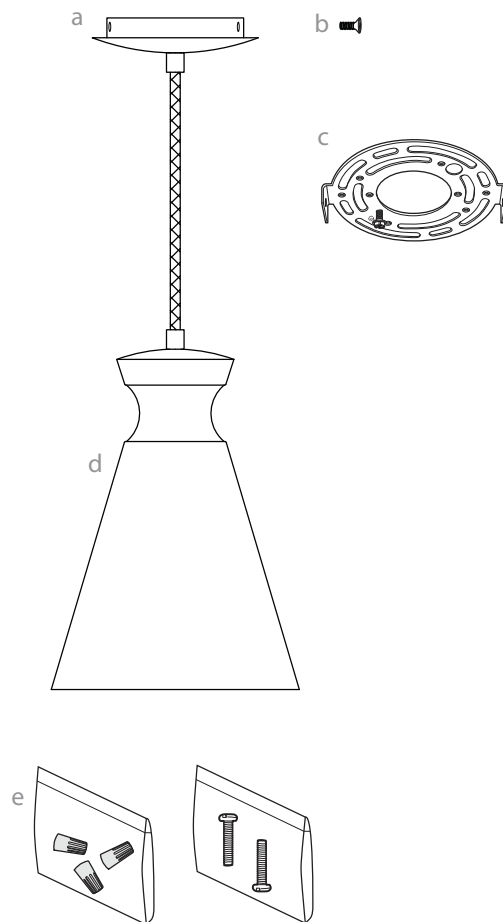
**a.** canopy (pre-attached to fixture). 1 piece

**b.** mounting plate screw (pre-attached to canopy). 2 pieces

**c.** mounting plate (pre-attached to canopy). 1 piece

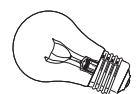
**d.** fixture. 1 piece

**e.** hardware packs.



**⚠ IMPORTANT REMINDER:** You must use the parts provided with this fixture for proper installation and safety. **⚠**

**required bulbs:**  
1 x 60 watt max. medium base incandescent bulb (sold separately) or one CFL/LED equivalent



### 3. Installation Preparation.

**Installation requires these tools:** Phillips screwdriver, flat-head screwdriver, adjustable pliers or wrench, stepladder, wire cutters, soft cloth, wire strippers and rated electrical tape.

### 4. Mounting Plate Installation.

Turn off circuit breakers to current fixture from breaker panel and be sure operating light switch is turned to the OFF position.

**WARNING:** Failure to disconnect power supply prior to installation may result in serious injury.

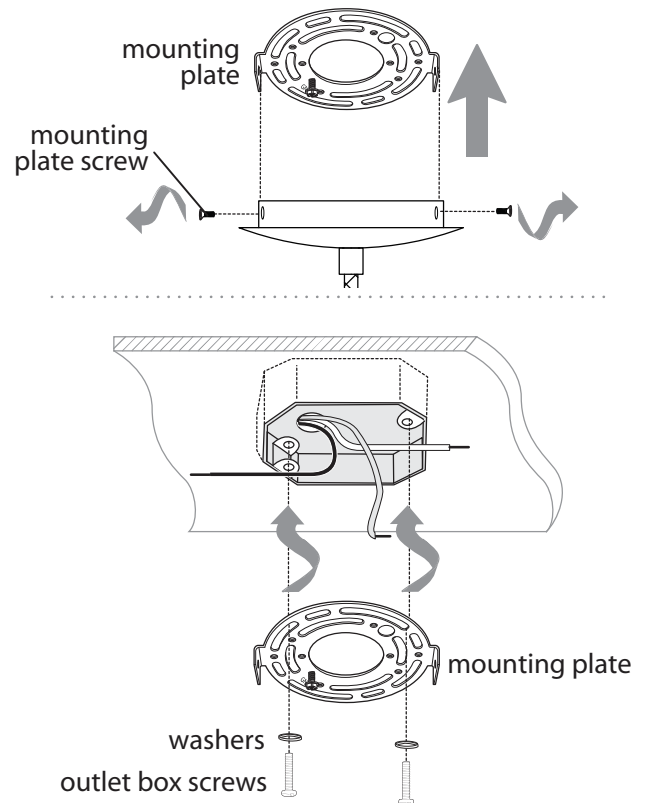
Remove existing fixture.

**WARNING:** Make sure the outlet box can support 35 lbs. hanging weight. Use metal outlet box; plastic outlet boxes are not recommended.

Remove mounting plate from canopy by removing mounting plate screws from the edge of the canopy. Save mounting plate screws for later use.

Install mounting plate to outlet box using original screws and washers provided with new or original outlet box or use outlet box screws provided in hardware pack.\*

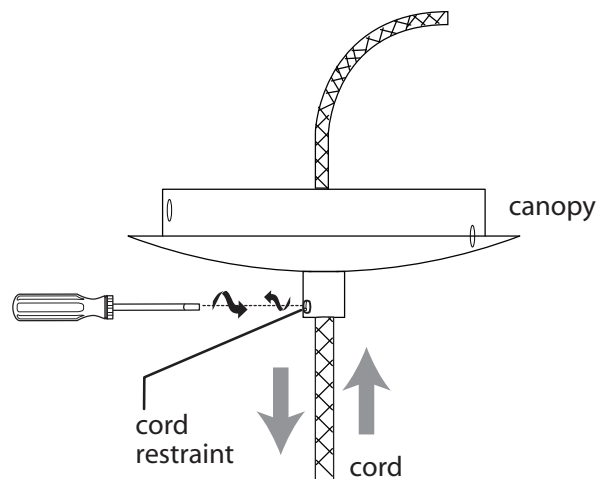
**\*NOTE:** It is very important that you use the proper hardware when installing the mounting plate as this will support the fixture.



### 5. Cord Adjustment.

If you wish to change the cord length, loosen cord restraint using a flathead screwdriver (not included) and then adjust cord to desired hanging length by pulling cord up through canopy until at proper length. Re-tighten cord restraint to hold cord at desired length.

**CAUTION:** Do **NOT** overtighten cord restraint.



## 6. Wiring.

Use wire strippers to prepare wires from outlet box. Strip 3/4in. of insulation from *each* wire in outlet box. For each wire, use pliers to twist together stripped ends of each strand of wire within the insulation. After twisting strands together, snip ends of strands so that they are even.

Make wire connections with wire connectors provided as follows:

Attach **GREEN/GROUND** wire from outlet box to **GROUND/BARE** wire from fixture circuit grounding conductor with wire connector provided.

Connect **BLACK** wire from outlet box to **BLACK** wire from fixture with wire connector provided.

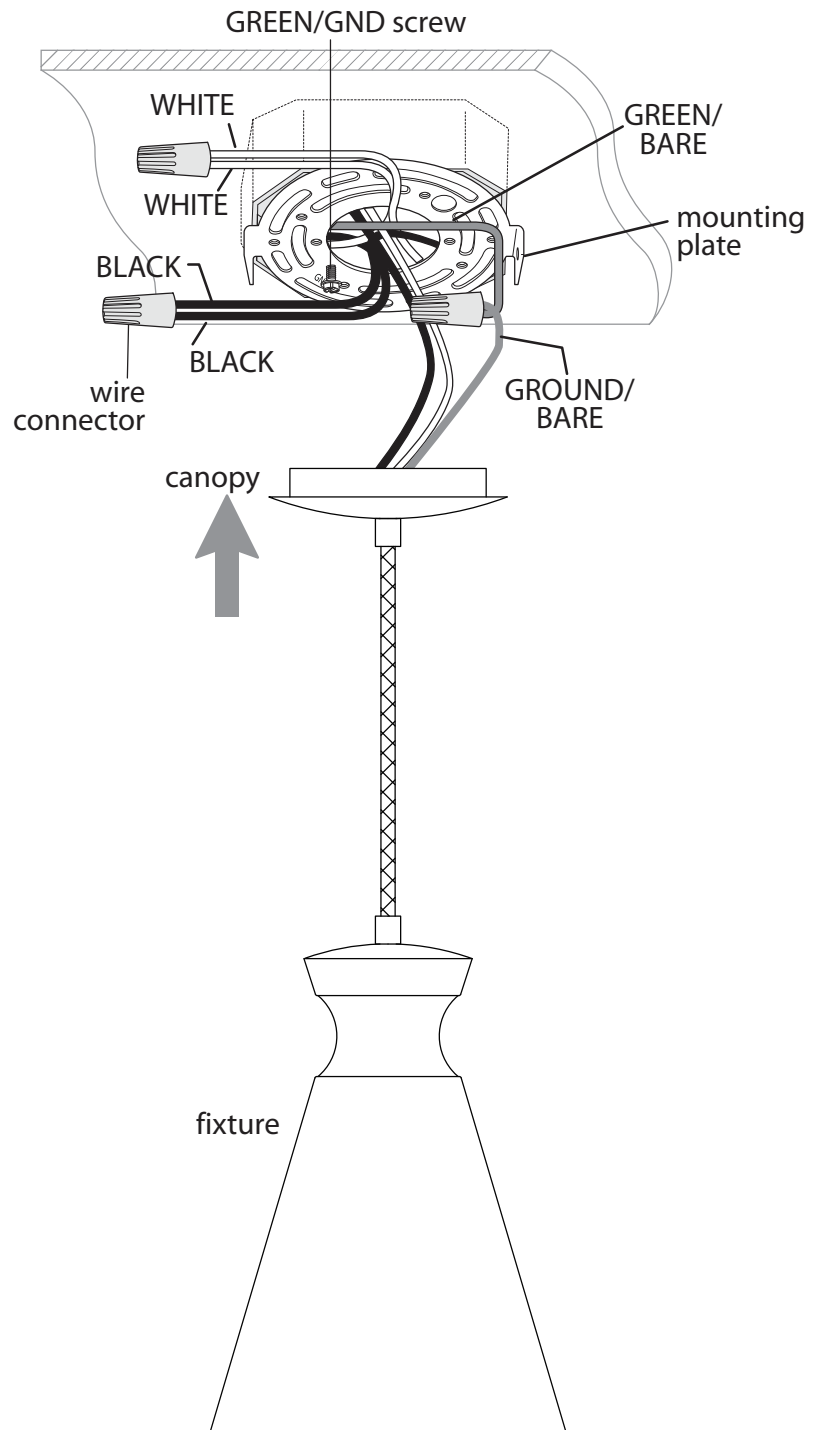
Connect **WHITE** wire from outlet box to **WHITE** wire from fixture with wire connector provided.

**NOTE:** If the outlet box wiring does *not* have a **GROUND/BARE** wire, the **GREEN/GROUND** from fixture branch circuit should be attached to the **GREEN SCREW** (labeled **GND**) on the mounting strap.

\* Wrap each wire connector separately with electrical tape as an extra safety measure. Carefully arrange excess wiring and wire connectors within canopy of fixture.

**WARNING:** Make sure no bare wire or wire strands are visible after making connections.

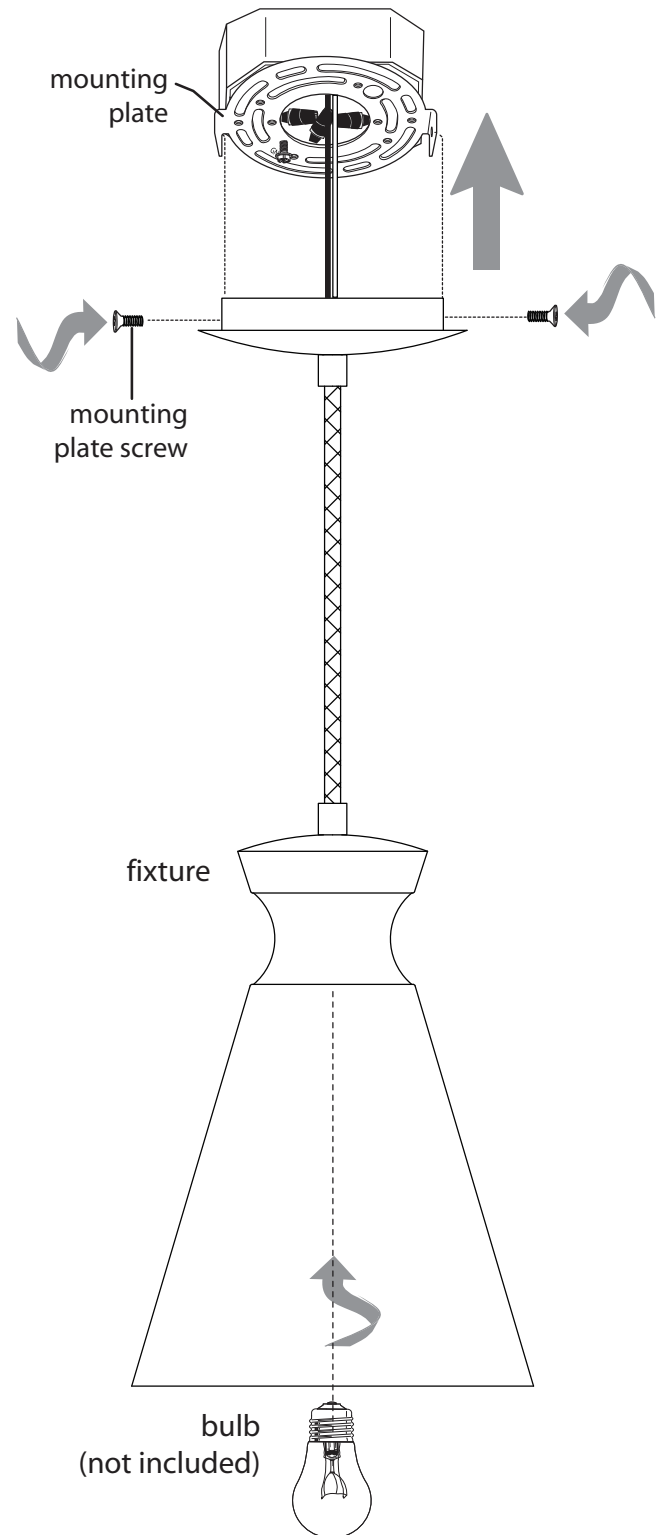
**NOTE:** *The important safety precautions and instructions appearing in the manual are not meant to cover all possible conditions and situations that may occur. It must be understood that common sense and caution are necessary factors in the installation and operation of this fixture.*



## 7. Final Assembly.

Align holes in edge of canopy with holes on edges of mounting plate. Attach canopy to mounting plate using the mounting plate screws that were previously removed (section 4, page 4). Securely tighten both screws

Install one medium base 60 watt max. bulb (sold separately) or one CFL/LED equivalent. **IMPORTANT:** When replacing bulb, please allow bulb and fixture to cool down before touching.



## Troubleshooting.

**WARNING:** Failure to disconnect power supply prior to troubleshooting any wiring issues may result in serious injury.

**Problem:** Light does not come on.

**Solutions:**

1. Check power (circuit box and wall switch) to fixture.
2. Verify that bulb is installed correctly.
3. Check to be sure wires are connected properly with wire connectors.
4. Replace defective bulb with same type of bulb.

## Parts Replacement.

For parts and information, please refer to "Parts Inventory" on page 2.

Customer Support:

**1-844-557-8674**

[www.STORIMODERN.com](http://www.STORIMODERN.com)

**STORI**  
MODERN