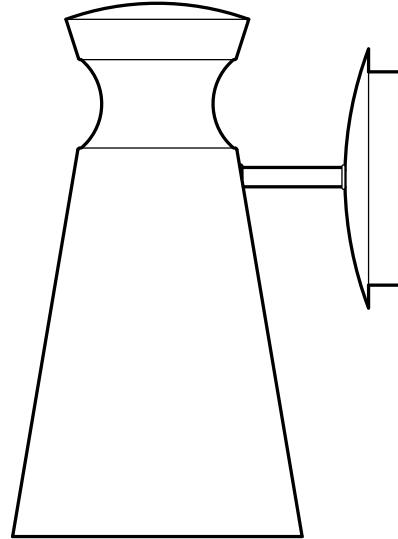




READ THESE INSTRUCTIONS
AND SAVE THEM FOR FUTURE USE



Highlighter Installation Guide

For item:
841926106137

Table of Contents:

- Safety Tips. pg. 2
- Warranty. pg. 2
- Unpacking Your Fixture. pg. 3
- Parts Inventory. pg. 3
- Installation Preparation. pg. 3
- Mounting Plate Installation. pg. 4
- Wiring. pg. 5
- Fixture Assembly. pg. 6
- Troubleshooting. pg. 6
- Parts Replacement. pg. 6



PRINTED IN CHINA

SAFETY TIPS.

WARNING: To reduce the risk of electrical shock, turn off the electricity at the main fuse box or circuit panel before you begin the installation or before servicing or installing the fixture.

1. **READ ALL INSTRUCTIONS AND SAFETY INFORMATION CAREFULLY BEFORE INSTALLING YOUR FIXTURE AND SAVE THESE INSTRUCTIONS.**
2. Make sure all electrical connections comply with Local Codes or Ordinances and the National Electrical Code. If you are unfamiliar with electrical wiring or if the house/building wires are different colors than those referred to in the instructions, please use a qualified electrician.
3. The outlet box must be securely mounted and must be capable of supporting the fixture.

WARNING: To reduce the risk of fire, electrical shock or personal injury, use the mounting screws provided with the outlet box. Consult a qualified electrician if in doubt. [See Section 4 on page 4 for additional information.]

WARNING: To reduce the risk of fire, electrical shock, or personal injury, wire connectors provided with this fixture are designed to accept only one 12 gauge house wire and no more than two lead wires from the fixture. If your house wire is larger than 12 gauge or there is more than one house wire to connect to the fixture lead wires, consult an electrician for the proper size wire connectors to use. **[See "Wiring" section on page 5 for detailed wiring instructions.]**

4. Electrical diagrams are for reference only. Switches must be UL general use switches. Refer to the instructions packaged with the switches for proper assembly.
5. After installation is complete, check that all connections are absolutely secure.
6. After making electrical connections, spliced conductors should be turned upward and pushed carefully up into the outlet box. The wires should be spread apart with the grounded conductor and the equipment-grounding conductor on opposite sides of the outlet box.

WARNING: To avoid personal injury or damage to the fixture and other items, be cautious when working around or cleaning the fixture.

WARNING: The heat generated from the light bulb in this fixture is extreme. To reduce the risk of fire, do NOT allow bulb to come in direct contact with any flammable materials.

7. Do not use detergents when cleaning the fixture. A soft cloth will be suitable for most cleaning.

NOTE: *The important safety precautions and instructions appearing in the manual are not meant to cover all possible conditions and situations that may occur. It must be understood that common sense and caution are necessary factors in the installation and operation of this fixture.*

Warranty.

STORIMODERN Five-Year Limited Warranty:

STORIMODERN warrants this fixture to the original household purchaser for indoor use under the following provisions:
5-YEAR WARRANTY: STORIMODERN will replace or repair any fixture which has faulty performance due to a defect in material or workmanship. Contact STORIMODERN Customer Service at **1-844-557-8674** to arrange for return of fixture for repair. Return fixture shipping prepaid to STORIMODERN. We will repair the fixture or ship you a replacement and we will pay the return shipping cost.

The purchaser shall be responsible for all costs incurred in the removal, reinstallation and shipping of the product for repairs.

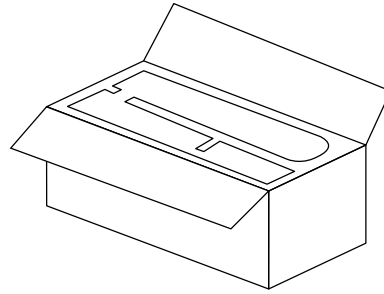
This warranty does not apply when damage from mechanical, physical, electrical or water abuse results in causing the malfunction. Deterioration of finishes or other parts due to time or exposure to salt air is specifically exempted under this warranty.

Neither STORIMODERN nor the manufacturer will assume any liability resulting from improper installation or use of this product. In no case shall the company be liable for any consequential damages for breach of this or any other warranty expressed or implied whatsoever. This limitation as to consequential damages shall not apply in states where prohibited.

1. Unpacking Your Fixture.

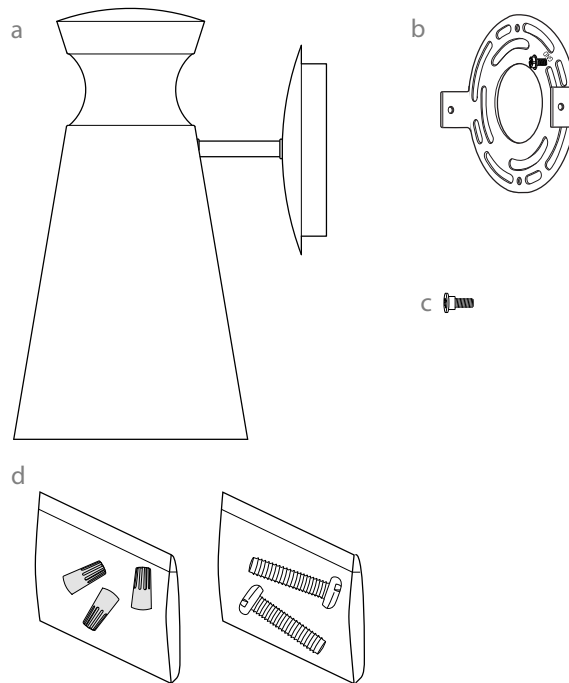
Carefully open the packaging. Remove items from Styrofoam inserts. Do not discard carton or Styrofoam inserts should this fixture need to be returned for repairs.

Check against parts inventory that all parts have been included.



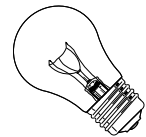
2. Parts Inventory.

- a. fixture, 1 piece
- b. mounting plate (pre-attached to fixture). 1 piece
- c. mounting plate screw (pre-attached to fixture). 2 pieces
- d. hardware pack



⚠ IMPORTANT REMINDER: You must use the parts provided with this fixture for proper installation and safety. **⚠**

bulb required:
1 x 60 watt max. medium base bulb
or CFL/LED equivalent.
(not included)



3. Installation Preparation.

Installation requires these tools: Phillips screwdriver, flathead screwdriver, adjustable pliers or wrench, stepladder, wire cutters, wire strippers and rated electrical tape.

4. Mounting Plate Installation.

Turn off circuit breakers to current fixture from breaker panel and be sure operating light switch is turned to the OFF position. (Refer to **diagram 1**.)

WARNING: Failure to disconnect power supply prior to installation may result in serious injury.

Remove existing fixture.

WARNING: When using an existing outlet box, be sure the outlet box is securely attached to the building structure and can support the full weight of the fixture. Failure to do so can result in serious injury.

CAUTION: Be sure outlet box is grounded properly and that a ground wire (**GREEN** or **bare**) is present.

Remove mounting plate from fixture by removing mounting plate screws from the edges of the fixture. Save mounting plate screws for later use. (Refer to **diagram 2**.)

Feed wires through center of mounting plate. Install mounting plate to outlet box using the existing washers and outlet box screws or the mounting screws provided in hardware pack. (Refer to **diagram 3**.)

Note: It is important that you use the proper hardware when installing the mounting plate as this will support the fixture.

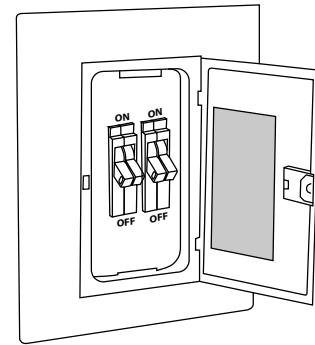


diagram 1

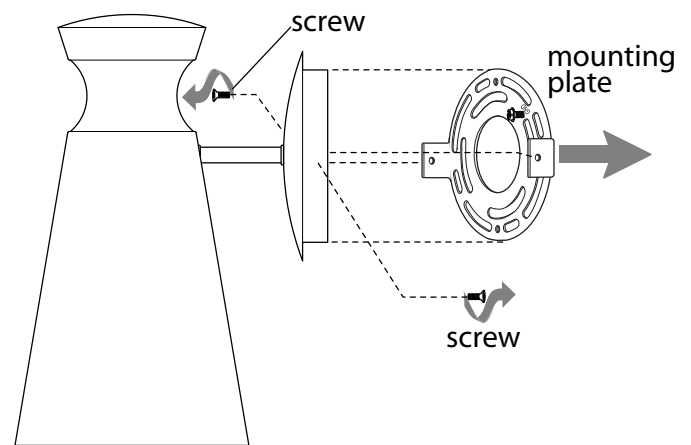


diagram 2

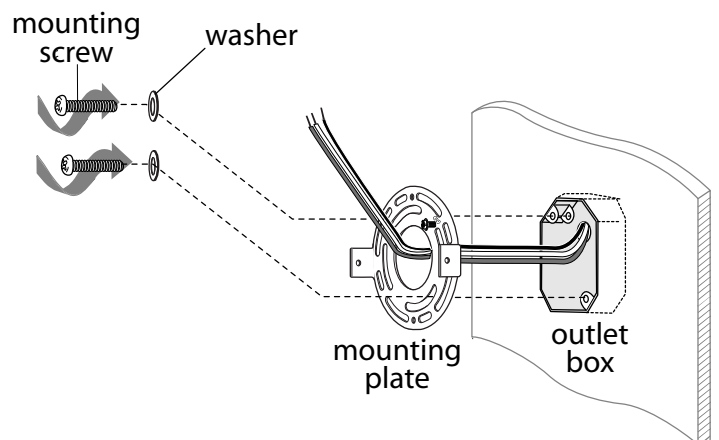


diagram 3

5. Wiring.

Prepare wire by stripping 3/4 inch of insulation from wire ends using wire strippers (not included).

Make wire connections with wire connectors provided as follows:

Connect **BLACK** wire from fixture to **BLACK** wire from outlet box .

Connect **WHITE** wire from fixture to **WHITE** wire from outlet box.

Connect **BARE** ground wire from fixture to **BARE/GREEN** ground wire from outlet box.

Note: If your outlet box wiring does *not* have a **BARE/GREEN** ground wire, the **BARE** ground wire from fixture should be attached to the **GREEN SCREW** labeled **GND** on the mounting plate.

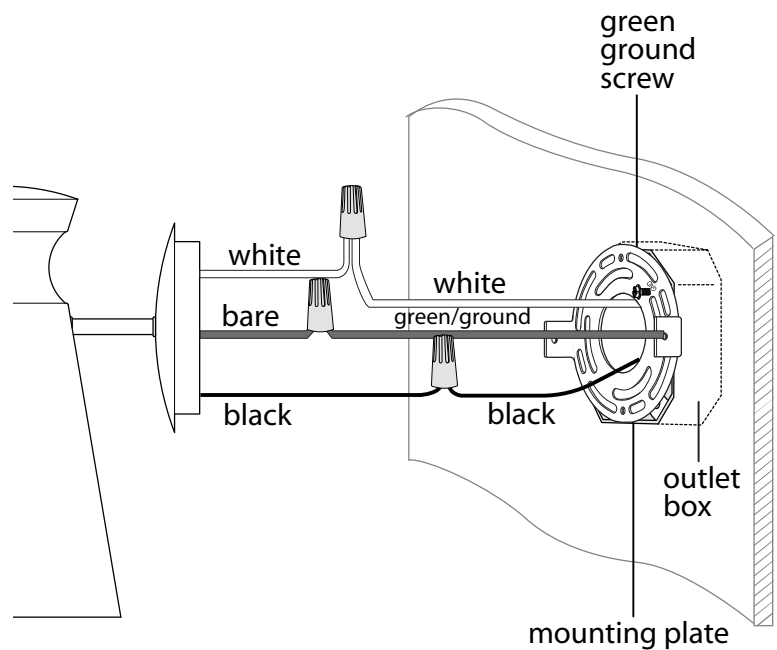
Note: Screw wire connectors on in a clockwise direction.

WARNING: Never connect ground wire to **WHITE** or **BLACK** power supply wires.

Wrap all wire connectors with electrical tape as an extra safety measure.

Carefully arrange excess wiring and wire connectors within outlet box.

NOTE: *The important safety precautions and instructions appearing in the manual are not meant to cover all possible conditions and situations that may occur. It must be understood that common sense and caution are necessary factors in the installation and operation of this fixture.*



electrical tape

6. Fixture Assembly.

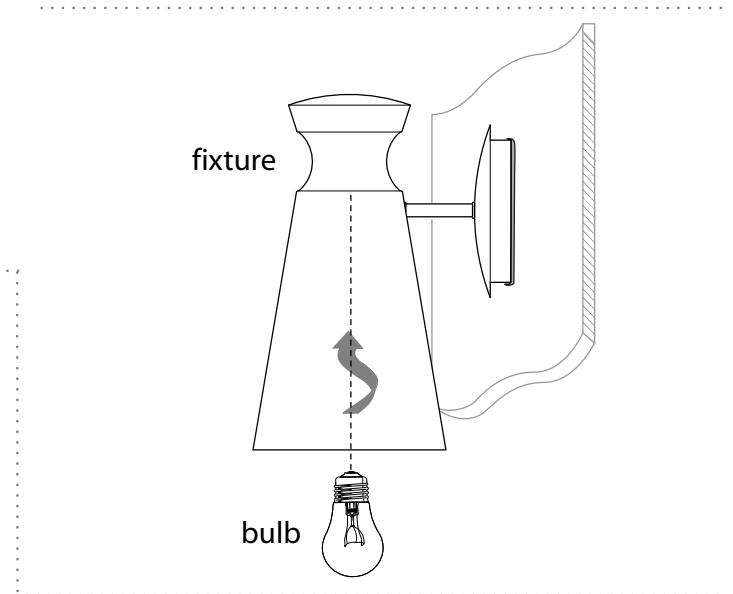
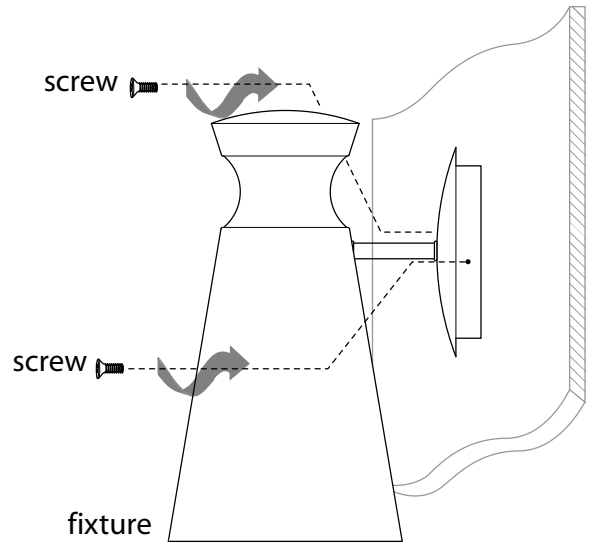
Attach fixture to mounting plate using the mounting plate screws previously removed in Step 4, Page 4.

NOTE: Before tightening mounting plate screws completely, use a level to check fixture and adjust if necessary.

Install 1 medium base 60 watt max. bulb or CFL/LED equivalent (not included).

CAUTION: When replacing bulb, please allow bulb and shade to cool down before touching them.

Restore power and test fixture.
If light does not function, please refer to the TROUBLESHOOTING below.



Troubleshooting.

WARNING: Failure to disconnect power supply prior to troubleshooting any wiring issues may result in serious injury.

Problem: Light does not come on.

Solutions:

1. Check power (circuit box and wall switch) to fixture.
2. Verify that bulb is installed correctly.
3. Check to be sure wires are connected properly with wire connectors.
4. Replace defective bulb with same type of bulb.

Parts Replacement.

For parts and information, please refer to "Parts Inventory" on page 3.

Customer Support:

844-557-8674

www.STORIMODERN.com

