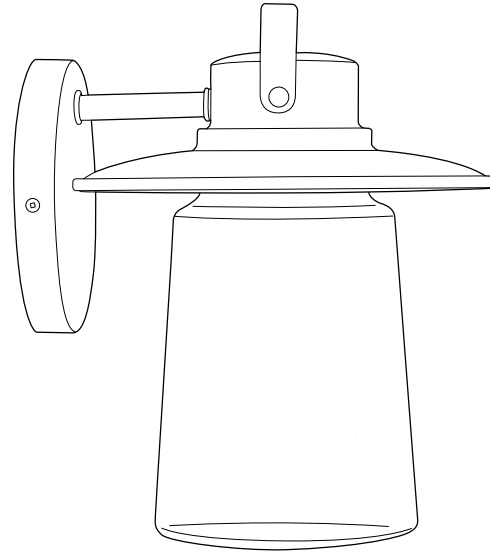




READ THESE INSTRUCTIONS  
AND SAVE THEM FOR FUTURE USE



Marker

## Installation Guide

For Models:

841926106229

841926106212

841926106205

841926106199

841926106182

841926106175

### Table of Contents:

Safety Tips. pg. 1

Warranty. pg. 1

Unpacking Your Fixture. pg. 2

Parts Inventory. pg. 2

Installation Preparation. pg. 3

Mounting Plate Installation. pg. 3

Wiring. pg. 4

Final Assembly. pg. 5

Troubleshooting. pg. 5

Parts Replacement. pg. 5



Intertek  
3187807

APPROVED FOR USE  
IN WET LOCATIONS

PRINTED IN CHINA

## SAFETY TIPS.

**WARNING:** To reduce the risk of electrical shock, turn off the electricity at the main fuse box or circuit panel before you begin the installation or before servicing or installing the fixture.

1. **READ ALL INSTRUCTIONS AND SAFETY INFORMATION CAREFULLY BEFORE INSTALLING YOUR FIXTURE AND SAVE THESE INSTRUCTIONS.**

**CAUTION:** To avoid personal injury, the use of gloves may be necessary while handling fixture parts with sharp edges.

2. Make sure all electrical connections comply with Local Codes or Ordinances, the National Electrical Code and ANSI/NFPA 70-1999. If you are unfamiliar with electrical wiring or if the house/building wires are different colors than those referred to in the instructions, please use a qualified electrician.

**CAUTION:** The fixture must be mounted to an outlet box that is supported by the building structure and can support the weight of the fixture. Use a **metal** outlet box; the use of plastic outlet boxes is not recommended.

**WARNING:** To reduce the risk of fire, electrical shock, or personal injury, use the mounting screws provided with the outlet box. Consult a qualified electrician if in doubt.

**WARNING:** To reduce the risk of fire, electrical shock, or personal injury, wire connectors provided with this fixture are designed to accept only one 12 gauge house wire and no more than two lead wires from the fixture. If your house wire is larger than 12 gauge or there is more than one house wire to connect to the fixture lead wires, consult an electrician for the proper size wire connectors to use.

3. Electrical diagrams are for reference only. Switches must be ETL or UL general use switches. Refer to the instructions packaged with the switches for proper assembly.
4. After installation is complete, check that all connections are absolutely secure.
5. After making electrical connections, spliced conductors should be turned upward and pushed carefully up into the outlet box. The wires should be spread apart with the grounded conductor and the equipment-grounding conductor on opposite sides of the outlet box.
6. To reduce the risk of damage to the fixture, DO NOT use power tools to assemble any part of the fixture.

**WARNING:** If using this light fixture in a WET location, this light fixture must be connected to a supply circuit that is protected by a Ground Fault Circuit Interrupter (GFCI) to reduce the risk of personal injury, electrical shock or death.

7. Failure to caulk fixture mounting surface with silicone weather sealant may result in water damage in outlet box, which may cause electrical malfunction or electrical shock.
8. To avoid water damage to fixture or possible electrical malfunction, install fixture at least 4 ft. above the ground/floor.

**NOTE:** *The important safety precautions and instructions appearing in the manual are not meant to cover all possible conditions and situations that may occur. It must be understood that common sense and caution are necessary factors in the installation and operation of this fixture.*

---

## WARRANTY.

### STORIMODERN FIVE-YEAR LIMITED WARRANTY:

STORIMODERN warrants this fixture to the original household purchaser for indoor/outdoor use under the following provisions:

5-YEAR WARRANTY: STORIMODERN will replace or repair any fixture which has faulty performance due to a defect in material or workmanship. Contact StoriModern Customer Service at **1-844-557-8674** to arrange for return of fixture for repair. Return fixture, shipping prepaid, to StoriModern. We will repair the fixture or ship you a replacement, and we will pay the return shipping cost.

The purchaser shall be responsible for all costs incurred in the removal, reinstallation and shipping of the product for repairs.

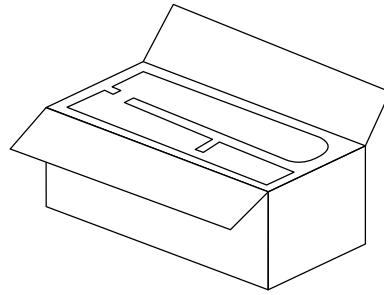
This warranty does not apply when damage from mechanical, physical, electrical or water abuse results in causing the malfunction. Deterioration of finishes or other parts due to time or exposure to salt air is specifically exempted under this warranty.

Neither StoriModern nor the manufacturer will assume any liability resulting from improper installation or use of this product. In no case shall the company be liable for any consequential damages for breach of this, or any other warranty expressed or implied whatsoever. This limitation as to consequential damages shall not apply in states where prohibited.

# 1. Unpacking Your Fixture.

Carefully open the packaging. Remove items from Styrofoam inserts. Do not discard carton or Styrofoam inserts should this fixture need to be returned for repairs.

Check against parts inventory that all parts have been included.



# 2. Parts Inventory.

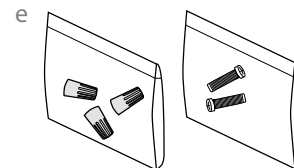
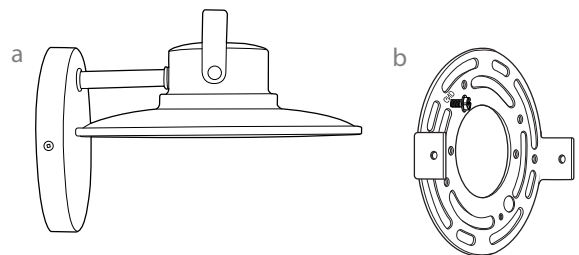
**a. fixture.** 1 piece

**b. mounting plate** (pre-attached to fixture).  
1 piece

**c. mounting plate screw** (pre-attached to fixture).  
2 pieces

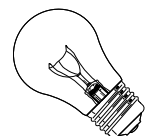
**d. shade.** 1 piece

**e. hardware pack**



**⚠ IMPORTANT REMINDER:** You must use the parts provided with this fixture for proper installation and safety. **⚠**

**required bulb:**  
1 x 60 watt max. medium base incandescent bulb  
(sold separately) or one CFL/LED equivalent



### 3. Installation Preparation.

**Installation requires these tools:**

Phillips screwdriver, flat-head screwdriver, adjustable pliers or wrench, stepladder, wire cutters, soft cloth, rated electrical tape, level and silicone weather sealant.

### 4. Mounting Plate Installation.

Turn off circuit breakers to current fixture from breaker panel and be sure operating light switch is turned to the OFF position.

**WARNING:** Failure to disconnect power supply prior to installation may result in serious injury.

Remove existing fixture.

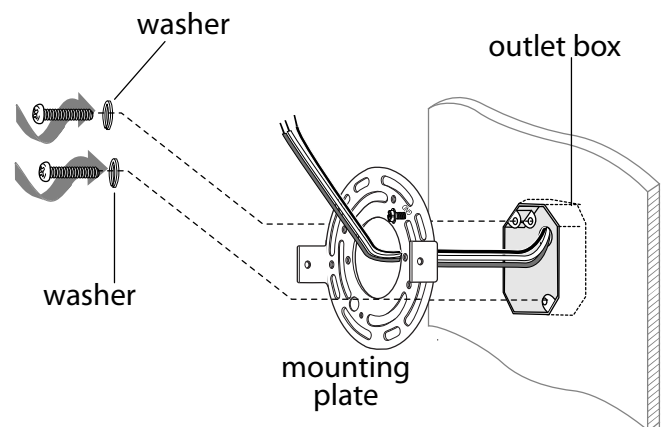
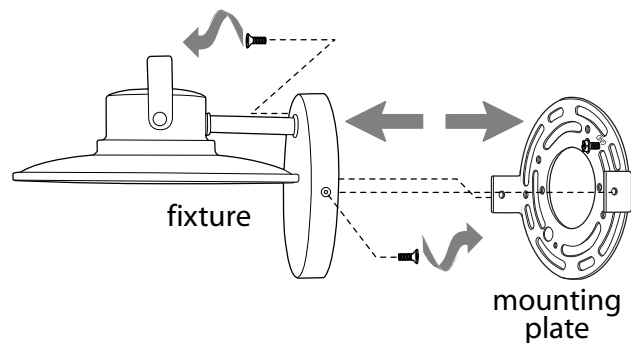
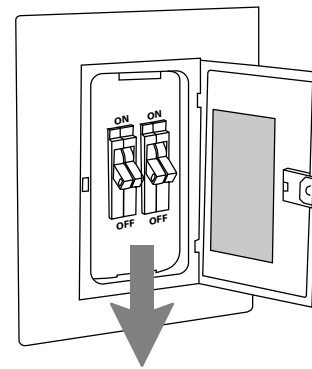
**WARNING:** When using an existing outlet box, be sure the box is securely attached to the building structure and can support the full weight of the fixture. Failure to do so can result in serious injury.

Remove mounting plate screws from sides of fixture and remove mounting plate from back of fixture. Save mounting plate screws for later use.

Feed electrical wiring through hole in center of mounting plate. Install mounting plate to outlet box using original screws, spring washers and flat washers provided with new or original outlet box or use outlet box screws provided in hardware pack.\*

Use a level (not included) to adjust mounting plate as needed so ears on mounting plate are parallel with floor and ceiling, then tighten outlet box screws completely to secure mounting plate.

**\*NOTE:** It is very important that you use the proper hardware when installing the mounting plate as this will support the fixture.



## 5. Wiring.

Use wire strippers to prepare wires from outlet box. Strip 3/4in. of insulation from each wire in outlet box. For each wire, use pliers to twist together stripped ends of each strand of wire within the insulation. After twisting strands together, snip ends of strands so that they are even.

Unwrap BARE wire from BLACK and WHITE wires. Make wire connections with wire connectors provided as follows:

Attach **GREEN/GROUND** wire from outlet box to **GROUND/BARE** wire from fixture circuit grounding conductor with wire connector provided.

Connect **BLACK** wire from outlet box to **BLACK** wire from fixture with wire connector provided.

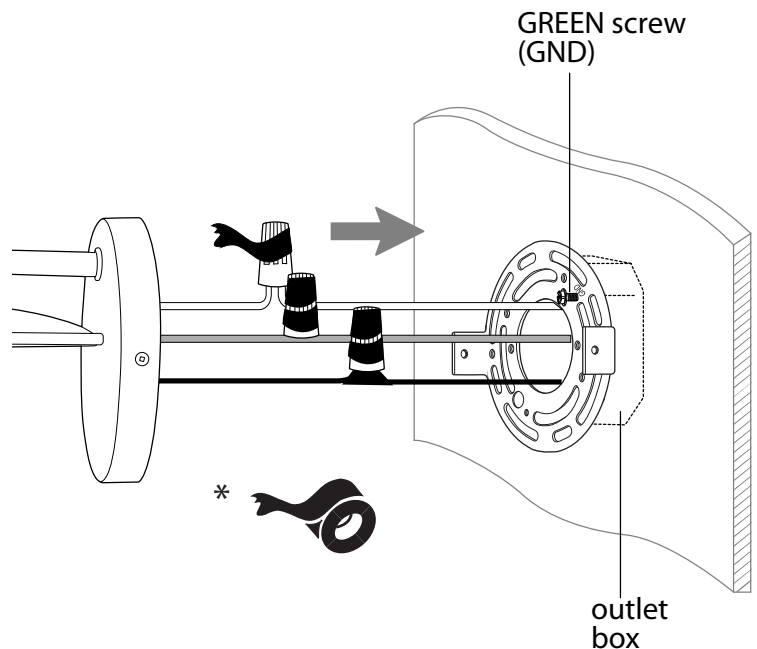
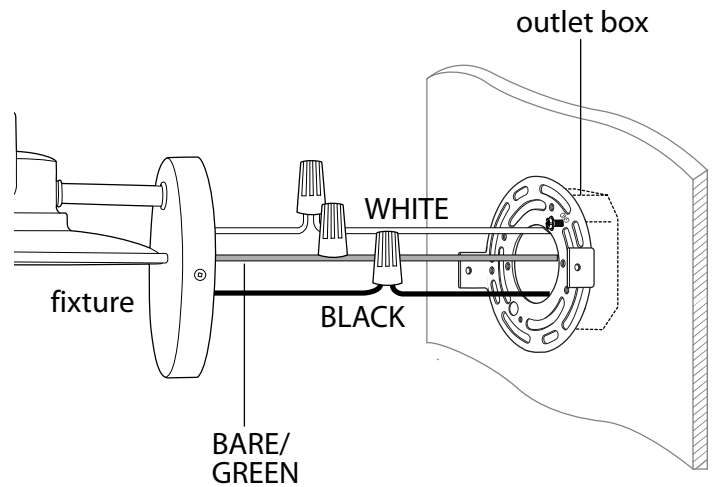
Connect **WHITE** wire from outlet box to **WHITE** wire from fixture with wire connector provided.

**NOTE:** If the outlet box wiring does not have a **GROUND/BARE** wire, the **GREEN/GROUND** from fixture branch circuit should be attached to the **GREEN SCREW** (labeled **GND**) on the mounting plate.

\* Wrap each wire connector separately with electrical tape as an extra safety measure. Gently push wiring and wire connectors back into outlet box.

**WARNING:** Make sure no bare wire or wire strands are visible after making connections.

**NOTE:** *The important safety precautions and instructions appearing in the manual are not meant to cover all possible conditions and situations that may occur. It must be understood that common sense and caution are necessary factors in the installation and operation of this fixture.*



## 6. Final Assembly.

Attach fixture to mounting plate using the mounting plate screws that were previously removed (Section 4, page 3).

**NOTE:** Before tightening mounting plate screws completely, use a level to check fixture and adjust if necessary.

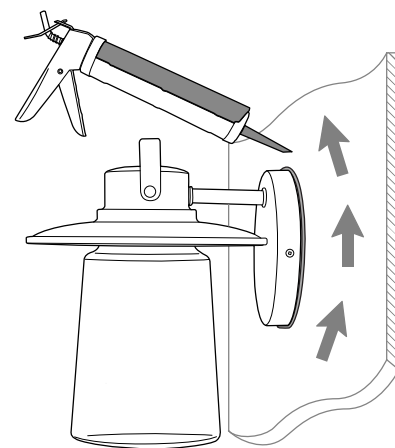
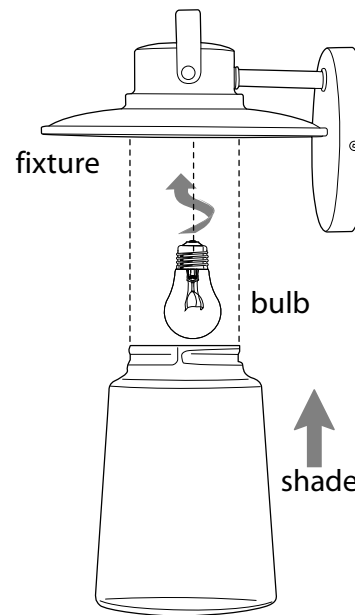
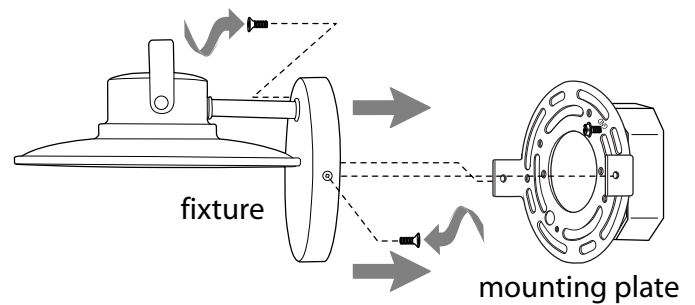
Install 1 medium base 60 watt max. bulb (sold separately) or one CFL/LED equivalent.

**IMPORTANT:** When replacing bulb, please allow shade and bulb to cool down before touching.

Align grooves on shade with nodules on underside of fixture (near socket) and then push up gently on shade. Twist shade to the RIGHT (clockwise) until shade no longer turns. Pull down **VERY GENTLY** on shade to make sure that shade is secure.

After completing installation, caulk fixture mounting surface with silicone weather sealant (not included).

**WARNING:** Failure to caulk fixture mounting surface with silicone weather sealant may result in water damage in outlet box, which may cause electrical malfunction or electrical shock.



## Troubleshooting.

**WARNING:** Failure to disconnect power supply prior to troubleshooting any wiring issues may result in serious injury.

**Problem:** Light does not come on.

**Solutions:**

1. Check power (circuit box and wall switch) to fixture.
2. Verify that bulb is installed correctly.
3. Check to be sure wires are connected properly with wire connectors.
4. Replace defective bulb with same type of bulb.

## Parts Replacement.

For parts and information, please refer to "Parts Inventory" on page 2.

Customer Support:

**844-557-8674**

[www.STORIMODERN.com](http://www.STORIMODERN.com)



**STORI**  
MODERN